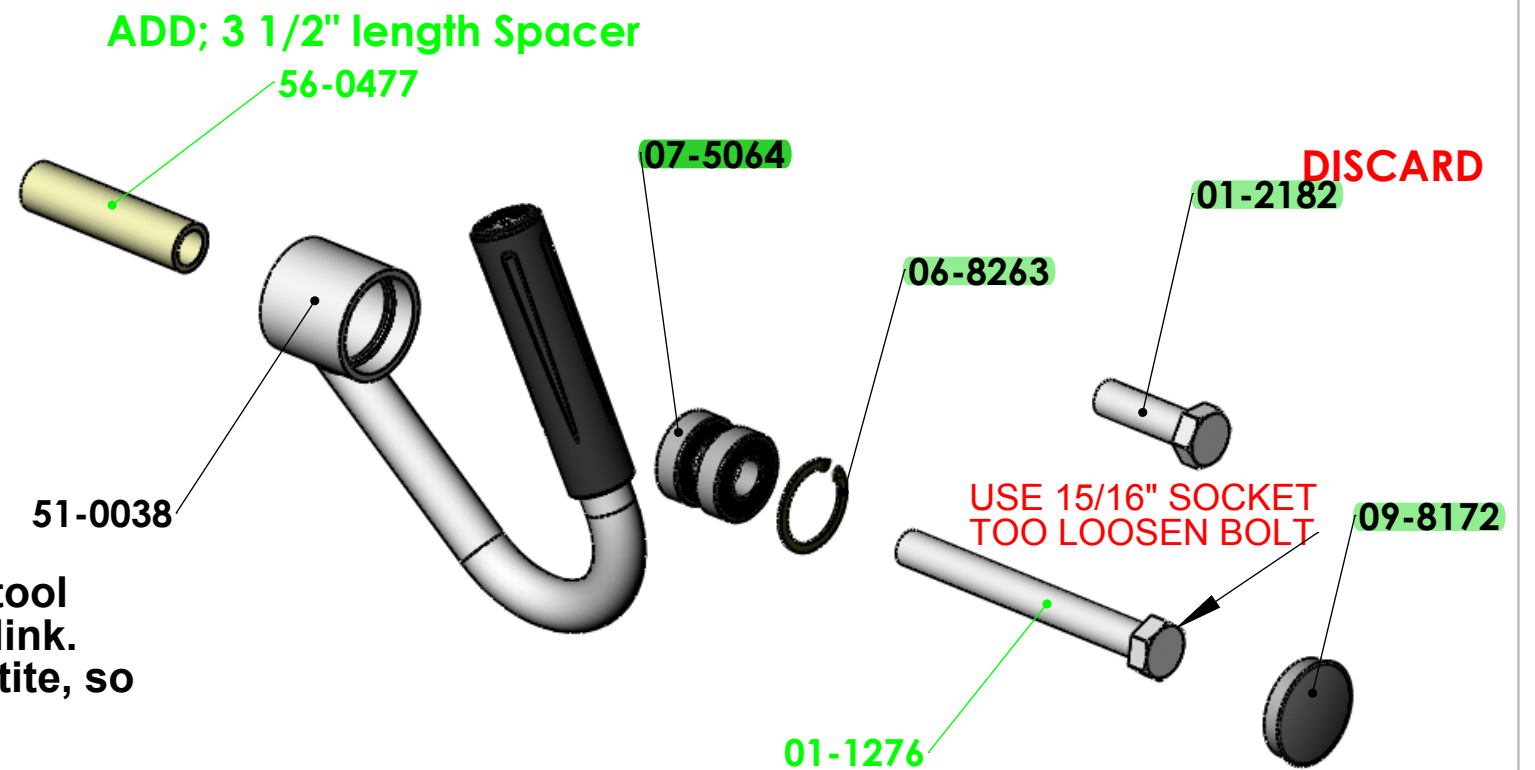


**KIT CONTENTS:**

PC. NO.	QTY	DESCRIPTION
56-0477	QTY - 2	BOLT HEX HEAD 5/8"-18 UNF X 5 1/2" LENGTH
01-1276	QTY - 2	SPACER SLEEVE 3 1/2" LENGTH



**Kit Instructions:**

1. Restrain item **56-0097** from turning using a strap wrench or other tool and remove **01-2182** bolt being careful not to damage the painted link. **01-2182** should have been installed using removable strength Loctite, so it may take a large amount of torque to remove.
2. Remove **06-8263** retaining ring and **07-5064** bearings from hub.
3. Place bearings onto new 5/8-18 x 5-1/2 (**01-1276**) bolt and reinstall into hub.
4. Reinstall **06-8263** locking bearings into the hub.
5. Place new spacer onto bolt.
6. Apply a couple drops of removable strength Loctite such as 242 or 248 into the threaded end of **56-0097**.
7. Reinstall and tighten bolt as tight as possible.
8. Repeat for other side.

**ADD: 5 1/2 LENGTH BOLT**